

VTEC Swivel Arm Technology



- Quick and easy to install
- Cost reduction (recycle of all parts)
- Quick reinstallation
- Available for various angles (360° rotation)
- Unnecessary replacement of Level Spring Holder
- Various strokes are available with the spacer

Swivel Arm

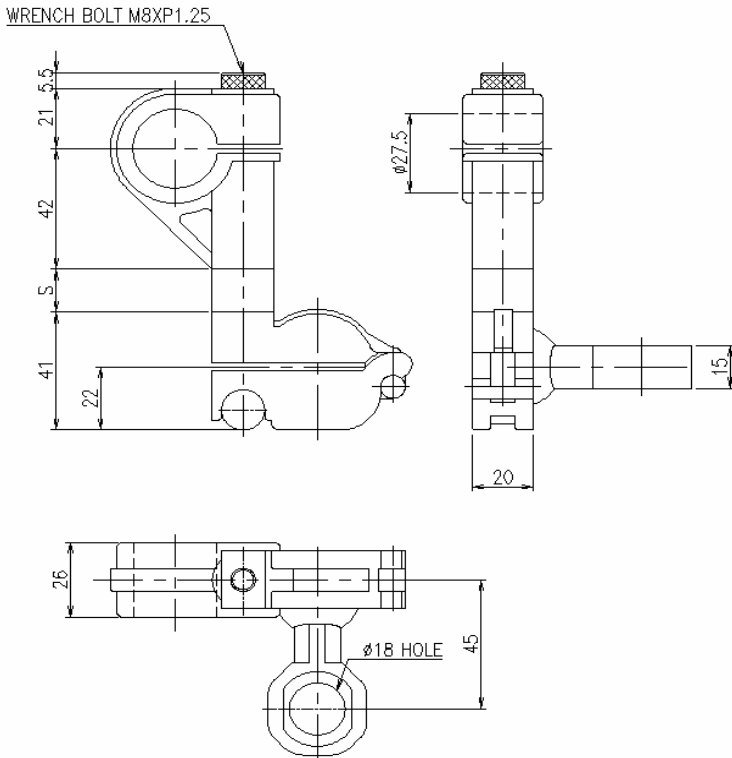
Order no
VSA27 - □
 ①

① Spacer (mm)

- 5 - 5mm
- 15 - 15mm
- 20 - 20mm
- 30 - 30mm
- 70 - 70mm
- 100 - 100mm
- 140 - 140mm
- 170 - 170mm



Dimensional information



Model	S
VSA27 - 5	5
VSA27 - 15	15
VSA27 - 20	22
VSA27 - 30	30
VSA27 - 70	70
VSA27 - 100	100
VSA27 - 140	140
VSA27 - 170	170

Swivel Arm

Order no

VSAP - □ - □
① ②

① Pipe Size (ϕ)

20A - ϕ 27.2

25A - ϕ 34

32A - ϕ 42.7

40A - ϕ 48.6

② Spacer (mm)

5 - 5mm 15 - 15mm

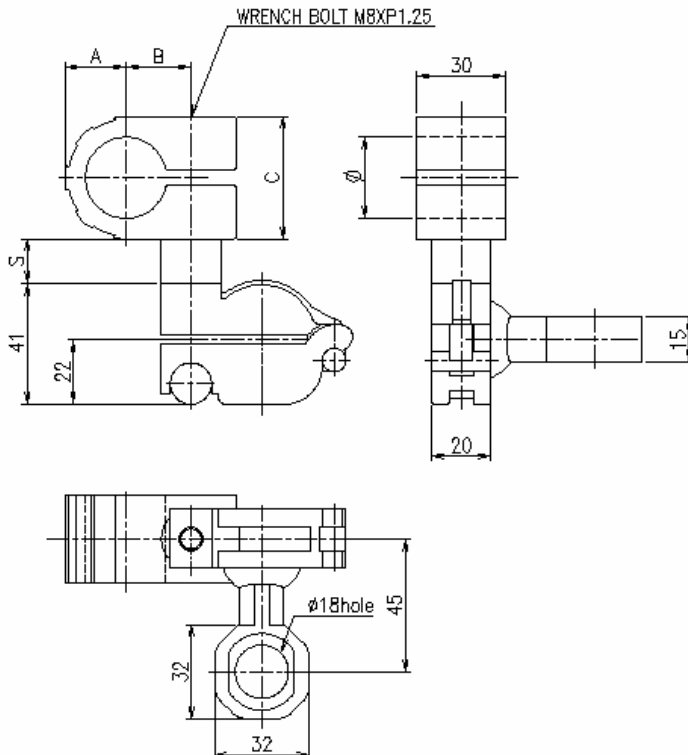
20 - 22mm 30 - 30mm

70 - 70mm 100 - 100mm

140 - 140mm 170 - 170mm



Dimensional information



	20A	25A	32A	40A
ϕ	27.5	34.4	43.3	49.2
A	20.7	24.5	29.5	33
B	22	25.5	36.5	40
C	41.5	49	59	66
S	5.15.22.30.70.100.140.170			

Pipe joint flat

Order no

VPF - □ - 80

①

① Pipe Size (ϕ)

20A - ϕ 27.2

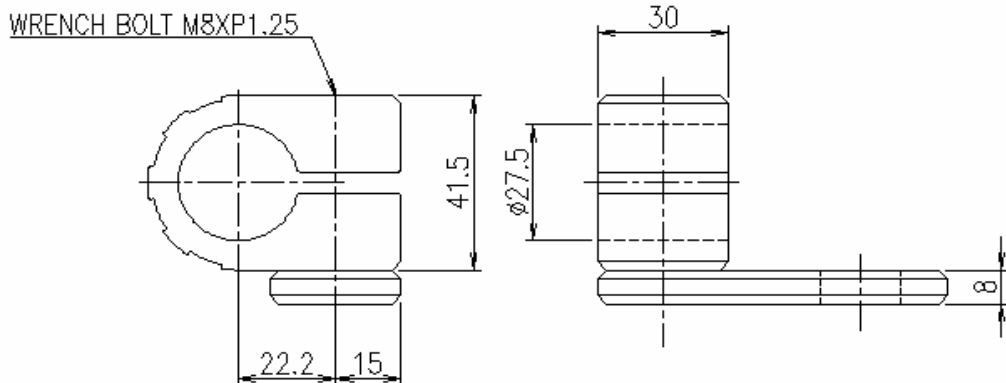
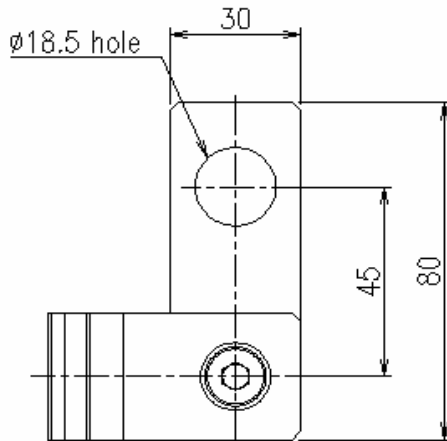
25A - ϕ 34

32A - ϕ 42.7

40A - ϕ 48.6



Dimensional information



Pipe Cross Joint

Order no

VCJ - □

①

① Pipe Size (φ)

20A20 - φ 27.2 X φ 27.2

20A25 - φ 27.2 X φ 34

20A32 - φ 27.2 X φ 42.7

20A40 - φ 27.2 X φ 48.6

25A25 - φ 34 X φ 34

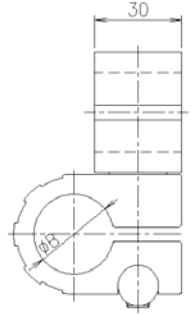
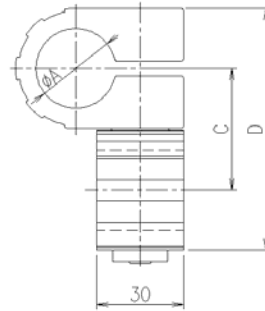
25A32 - φ 34 X φ 42.7

25A40 - φ 34 X φ 48.6

32A32 - φ 42.7 X φ 42.7

32A40 - φ 42.7 X φ 48.6

40A40 - φ 48.6 X φ 48.6



	20A20	20A25	20A32	20A40	25A25	25A32	25A40	32A32	32A40	40A40
φ A	27.5	27.5	27.5	27.5	34.4	34.4	34.4	43.3	43.3	49.2
φ B	27.5	34.4	43.3	49.2	34.4	43.3	49.2	43.3	49.2	49.2
C	42	45.7	50.7	54.2	49.5	54.5	58	59.5	63	66.5
D	83.5	91	101	108	98.5	108.5	115.5	118.5	125.5	132.5

Order no

VCJS - □ - □

①

②

① Pipe Size (φ)

20A - φ 27.2

25A - φ 34

32A - φ 42.7

40A - φ 48.6

② Each pipe Size (mm) Square pipe

55 - 50 X 50

53 - 50 X 30



Accessory

Pipe Holder

Order no
VSA27



Swivel Holder

Order no
VSC



Level Spring Holder

Order no
VSB



Spacer

Order no

- SO05 - 5mm
- SO15 - 15mm
- SO20 - 20mm
- SO30 - 30mm
- SO70 - 70mm
- SO100 - 100mm
- SO140 - 140mm
- SO170 - 170mm

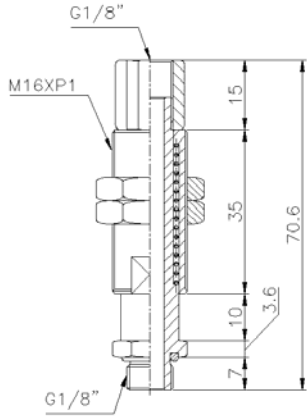


Level Spring

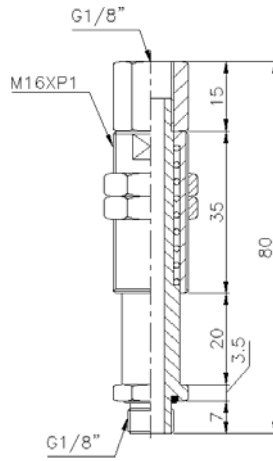
Compensate for differences in height on the surface of the material.

Absorb the shock when material is picked up.

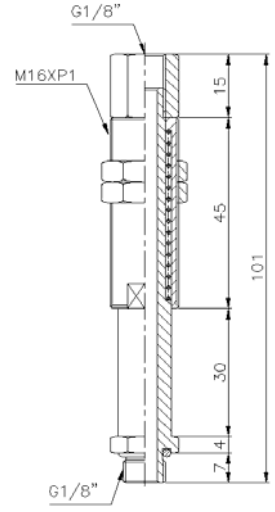
L1810TS



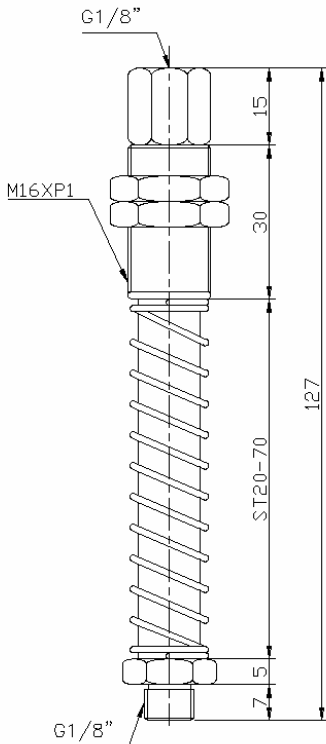
L1820T



L1830T



L1850T



L1250T

